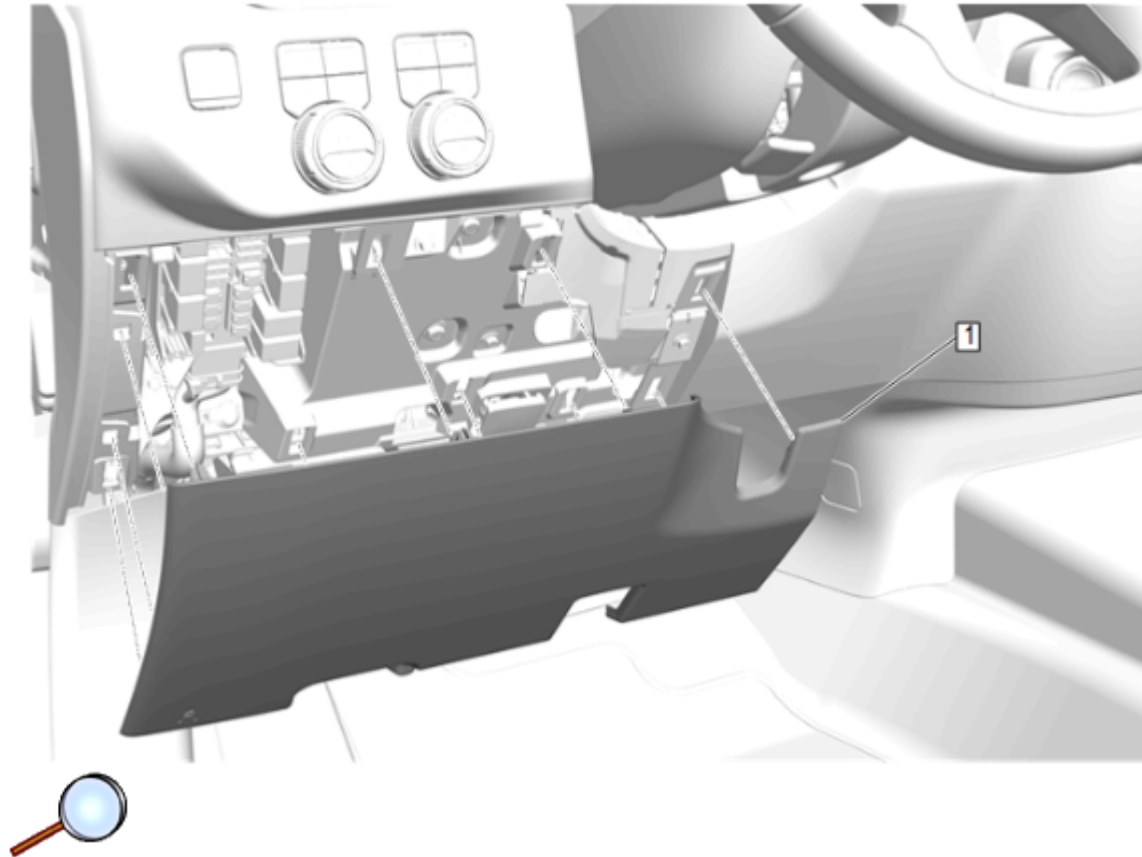


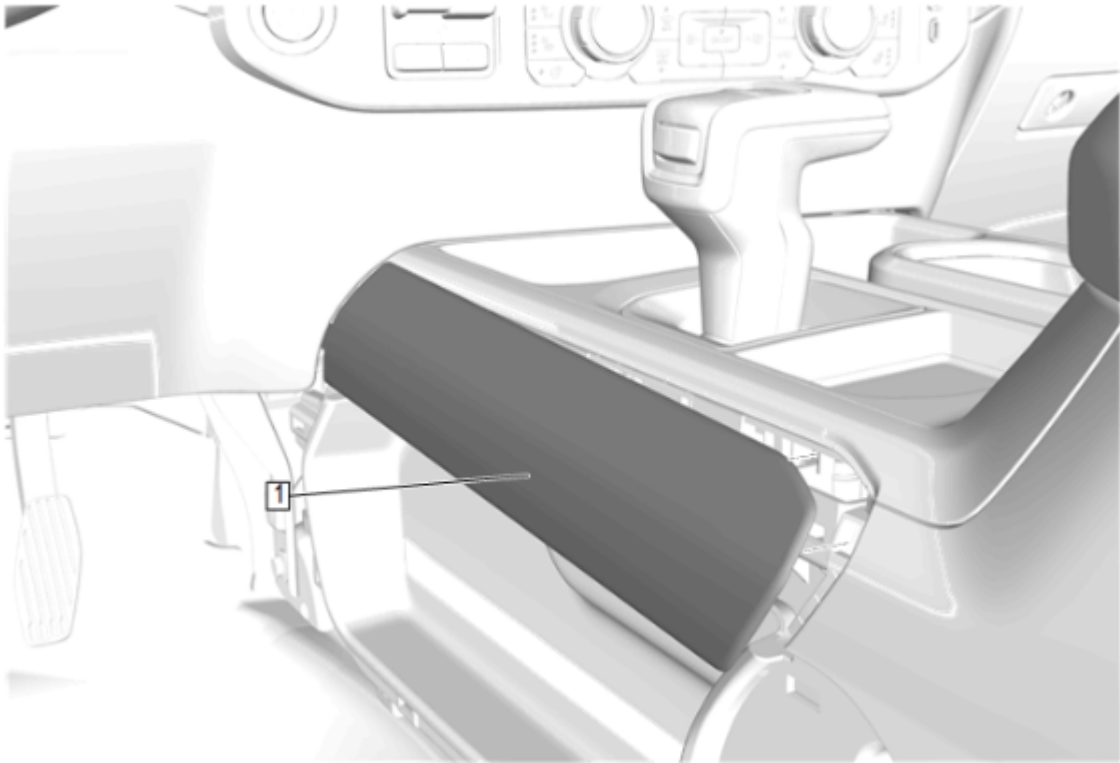
Instrument Panel Center Accessory Function Switch Replacement (with Front Floor Console)

[Removal Procedure](#)



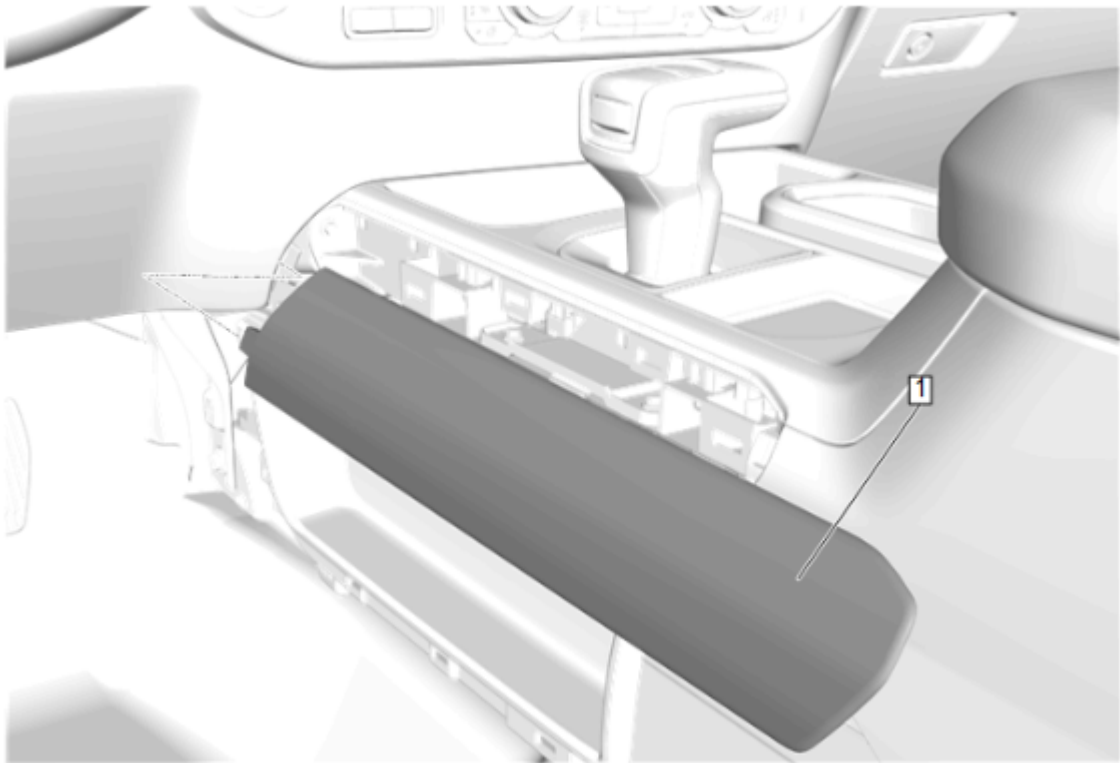
Warning: When removing, handling or installing this component wear protective gloves. The sharp edges on the component may be very sharp and may cause injury.

1. Using a flat-bladed plastic trim tool, release the retaining clips.
2. Instrument Panel Knee Bolster (1) » Remove



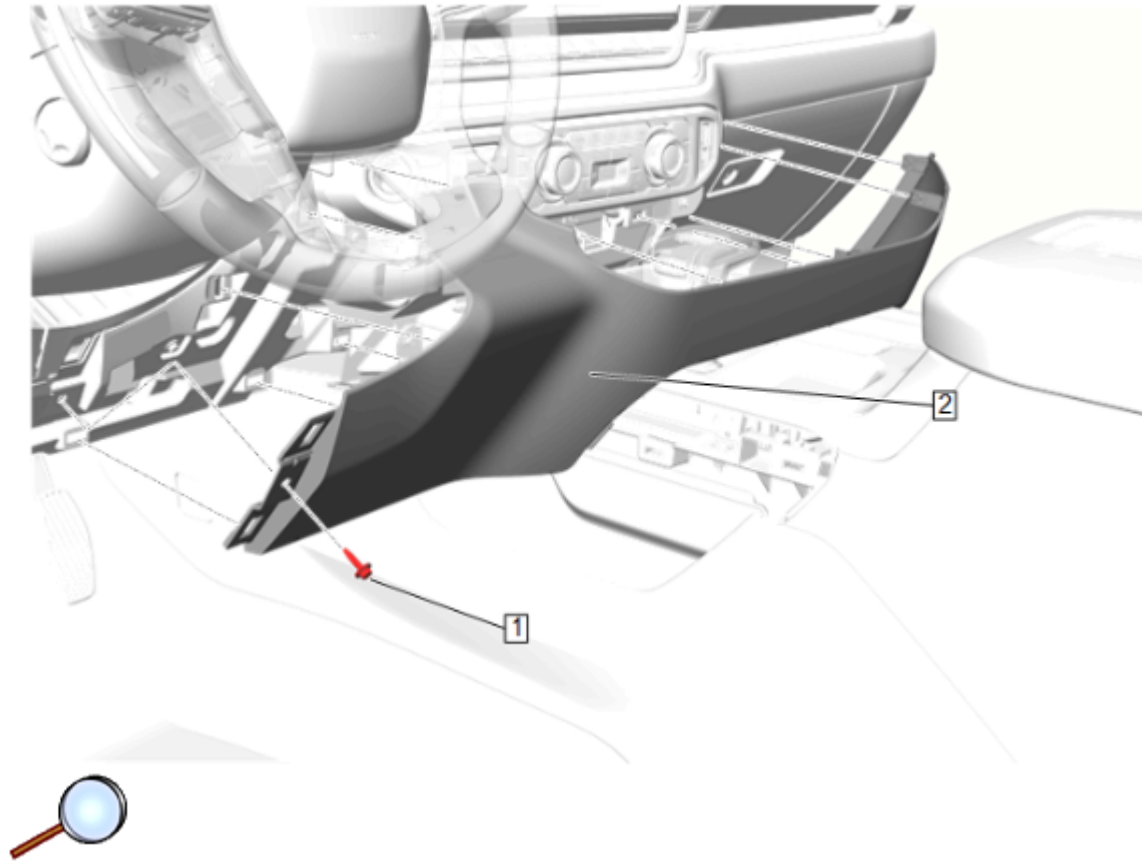
Note: Left side shown, right side similar.

3. Starting from the rear, use a plastic trim tool to release the retainers securing the front floor console applique (1) on both sides of the front floor console.



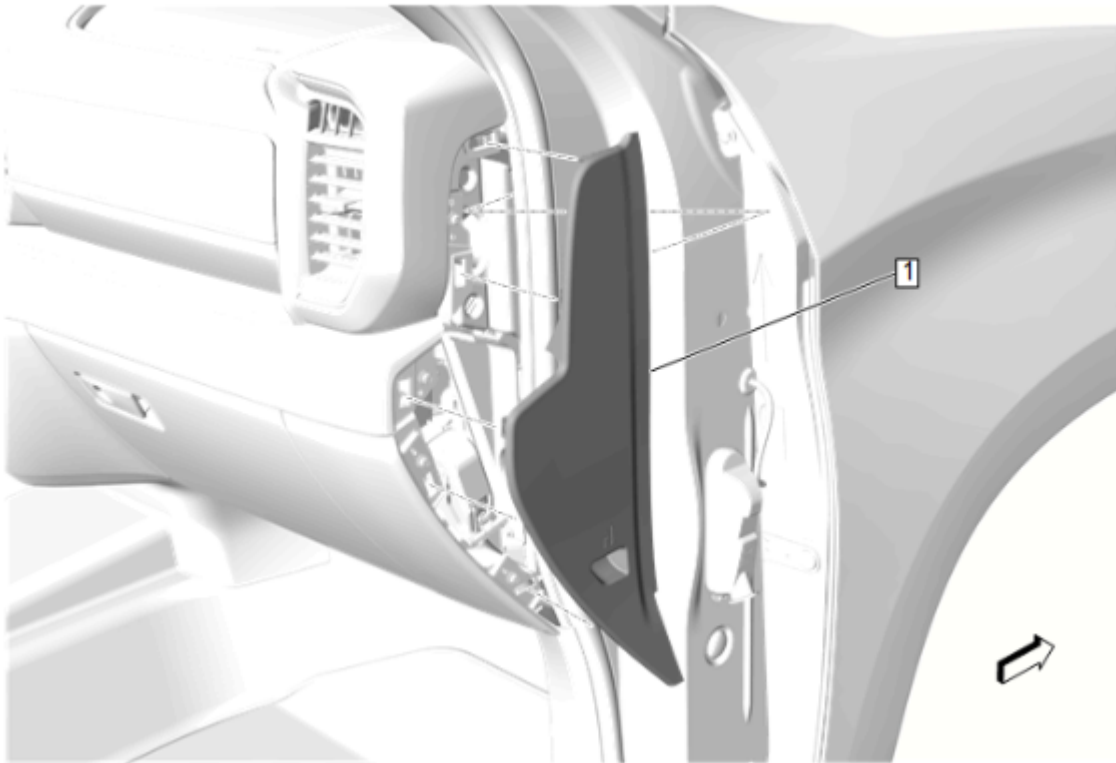
Note: Left side shown, right side similar.

4. Pull the front floor console applique (1) rearward to clear the integral tabs out on both sides of the instrument panel lower trim panel.



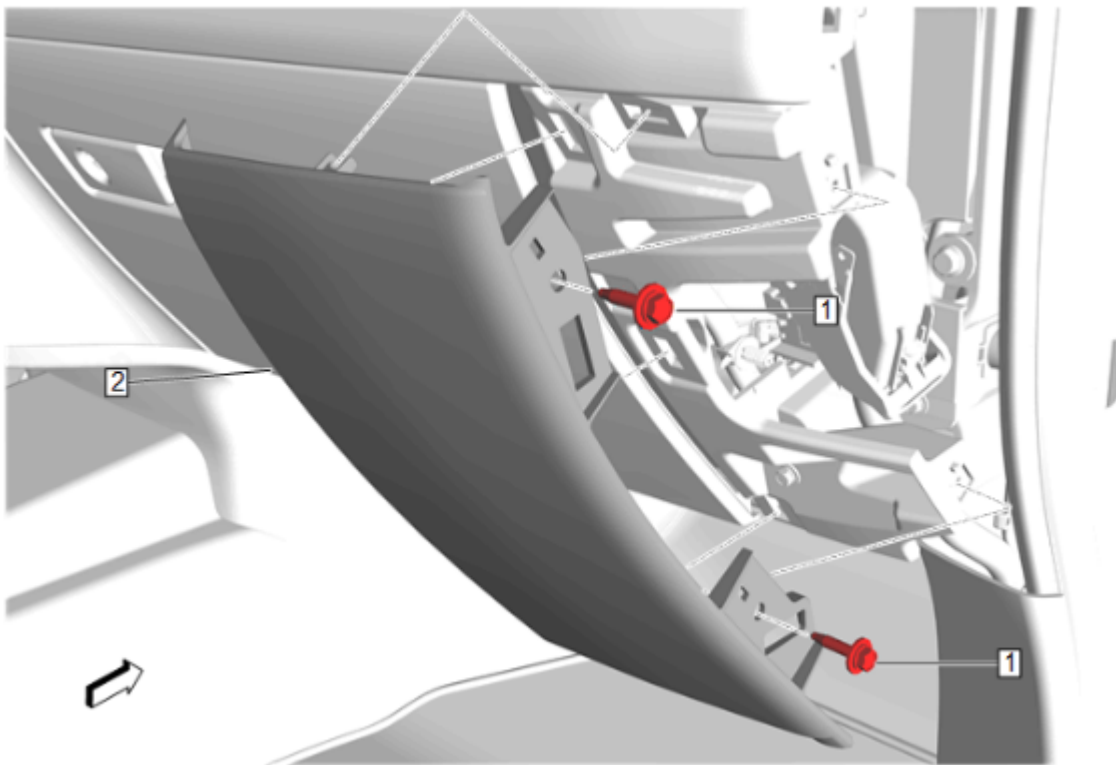
Note: Open the instrument panel compartment door for better access to the retaining clips.

5. Instrument Panel Lower Trim Panel Bolt (1) » Remove
6. Using a flat-bladed plastic trim tool, release the retaining clips.
7. Instrument Panel Lower Trim Panel (2) » Remove



Note: Use a plastic trim tool if necessary.

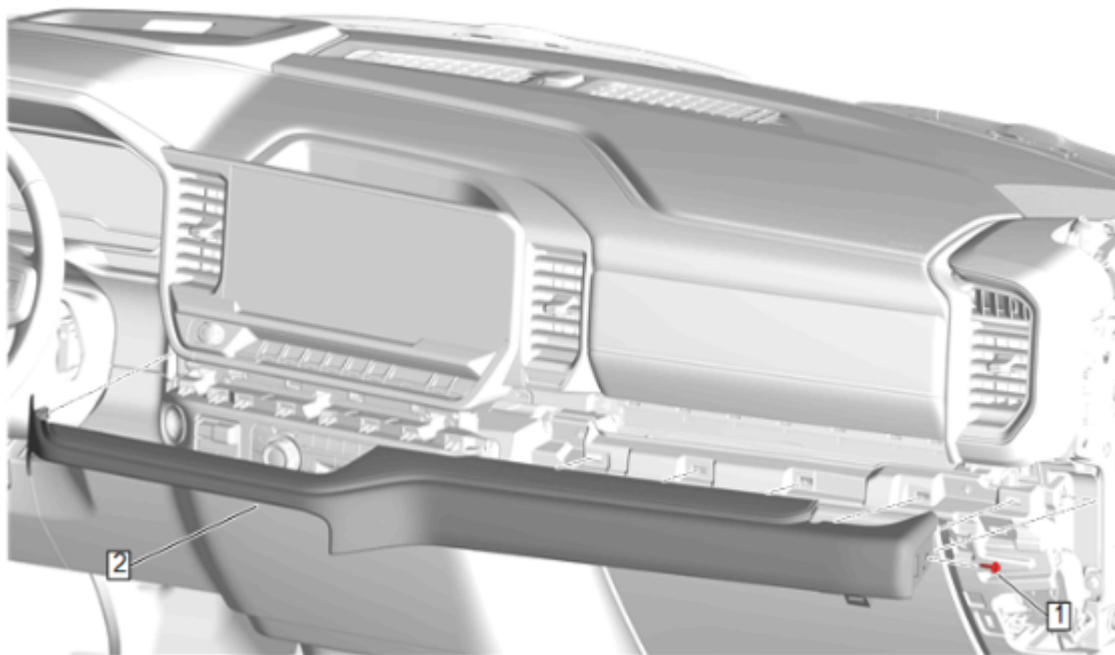
8. Pull away from the front side door weatherstrip to remove the instrument panel fuse block access hole cover (1).



9. Instrument Panel Lower Trim Panel Outer Filler Bolt(1) » Remove [2x]

Note: Use a plastic trim tool if necessary.

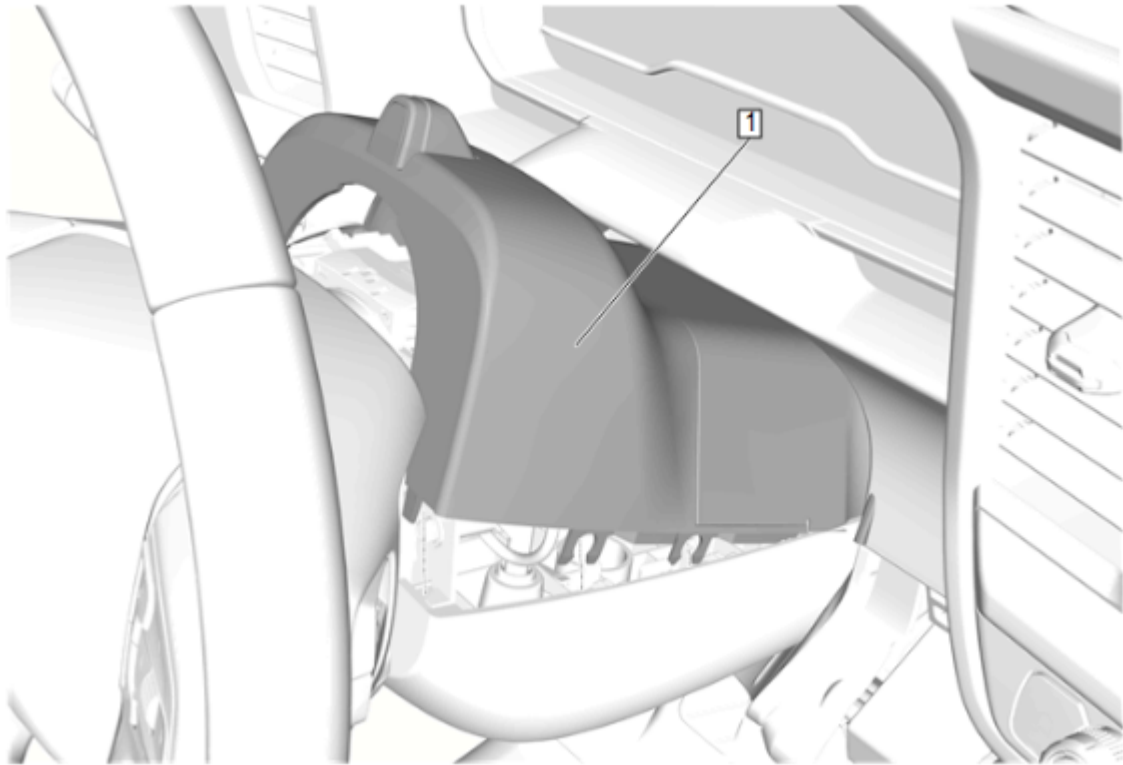
10. Instrument Panel Lower Trim Panel Outer Filler (2) » Remove



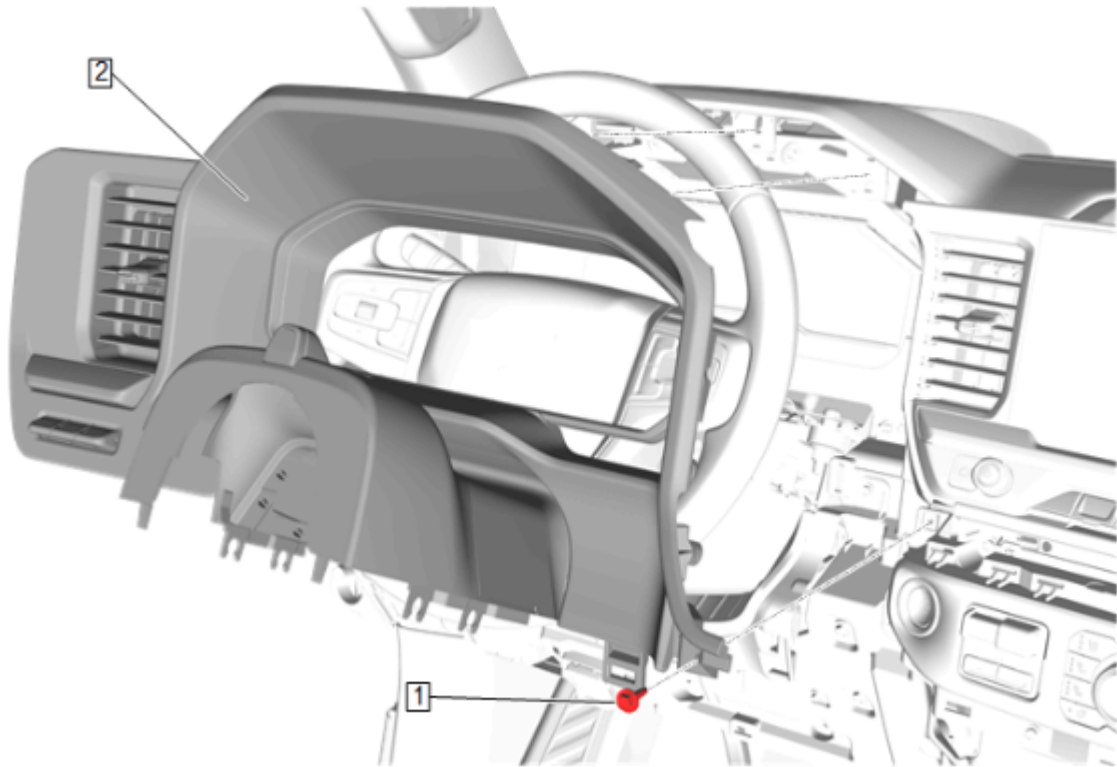
11. Instrument Panel Center Trim Panel Bolt (1) » Remove

12. Using a flat-bladed plastic trim tool, release the retaining clips.

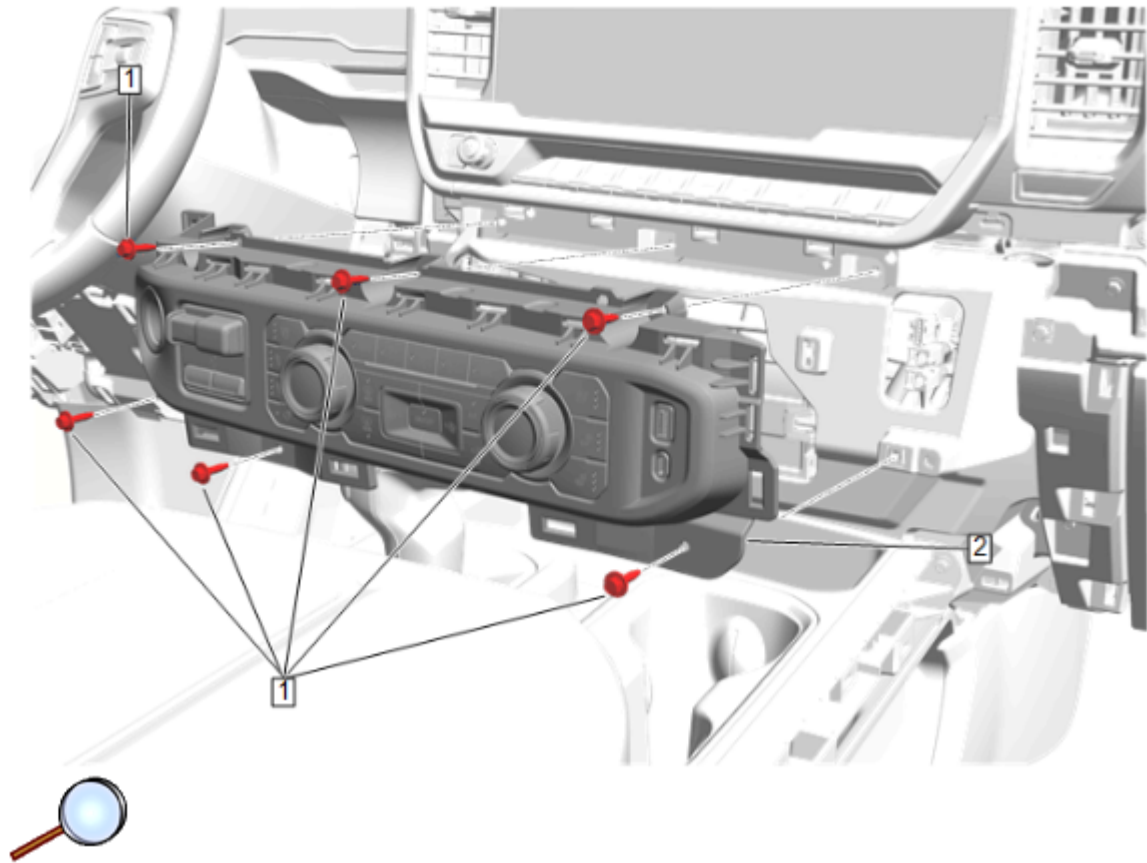
13. Instrument Panel Center Trim Pad (2) » Remove



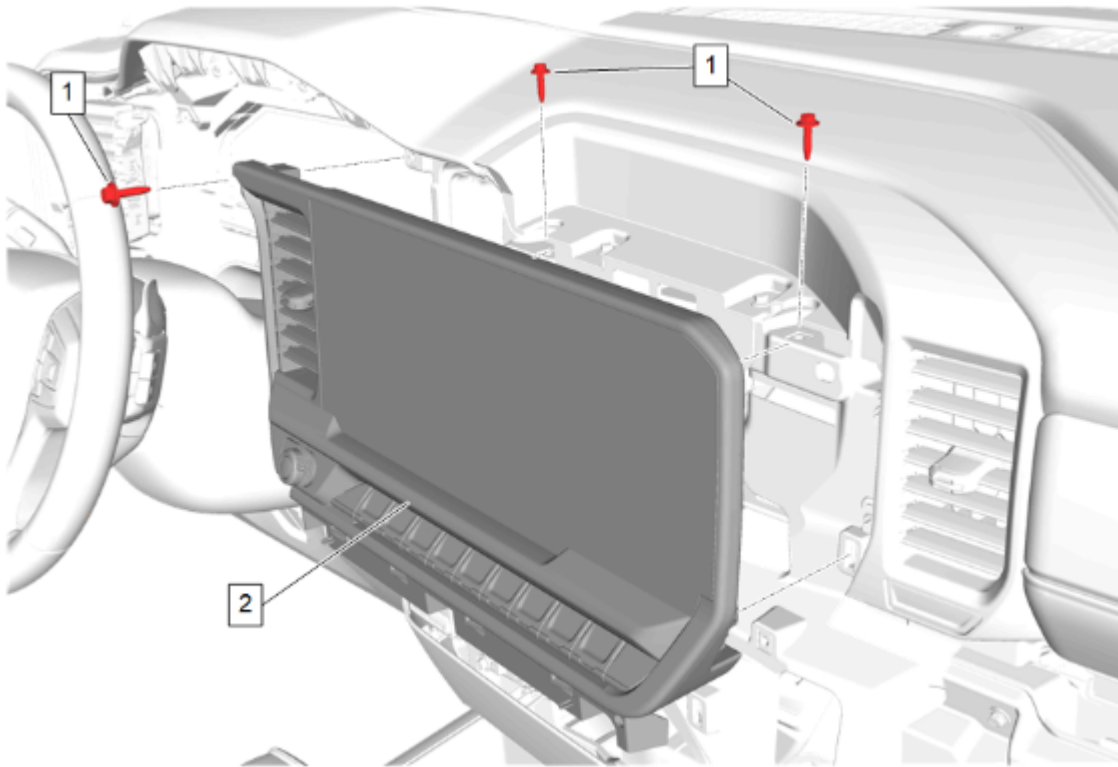
14. Unclip the instrument panel steering column upper trim cover (1) from the instrument panel steering column lower trim cover.
15. If equipped with a camera, reposition the component and disconnect the electrical connector.
16. Instrument Panel Steering Column Upper Trim Cover (1) » Reposition



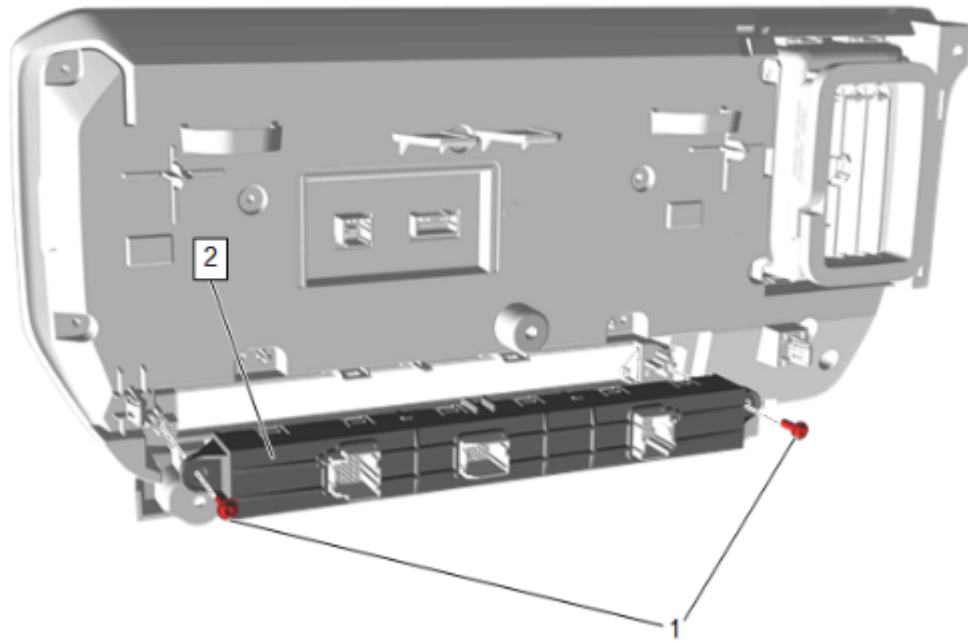
17. Instrument Panel Cluster Trim Plate Bolt (1) » Remove
18. Using a flat-bladed plastic trim tool, release the retaining clips.
19. { If equipped } Disconnect the electrical connector.
20. Instrument Panel Cluster Trim Plate (2) » Remove



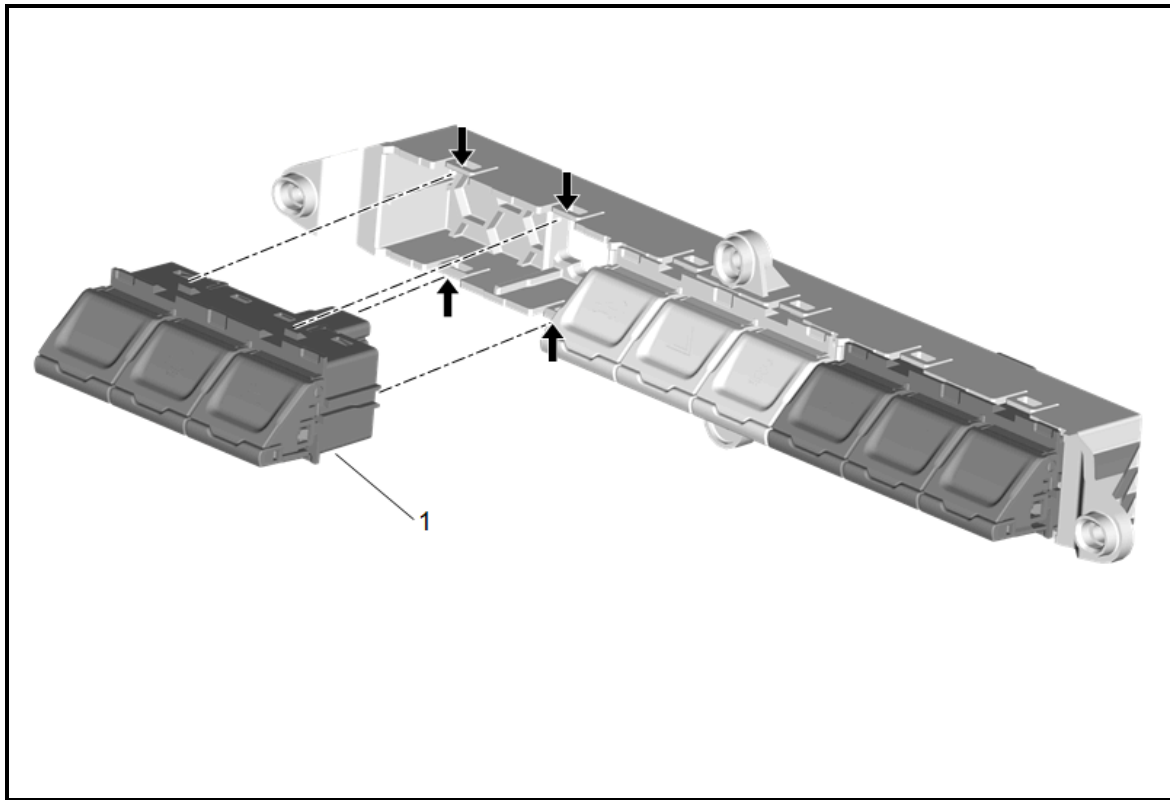
21. Instrument Panel Accessory Bezel Bolt (1) » Remove [6x]
22. Reposition the component to access the electrical connectors.
23. Disconnect the electrical connectors.
24. Instrument Panel Accessory Bezel (2) » Remove



- 25. Radio Control Bolt (1) » Remove [3x]
- 26. Radio Control (2) » Remove
- 27. Disconnect the electrical connectors.



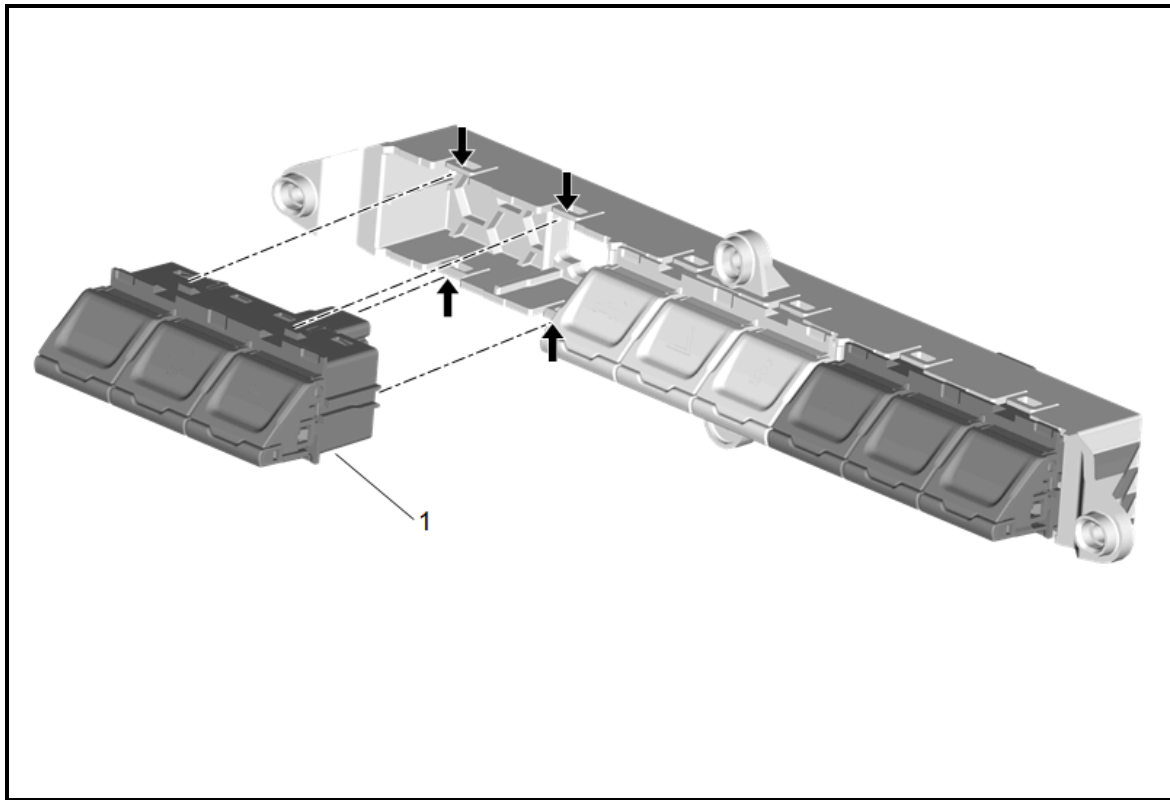
- 28. Hazard Warning Switch Housing Bolt (1) » Remove [2x]
- 29. Release the retaining tabs.
- 30. Hazard Warning Switch Housing (2) » Remove



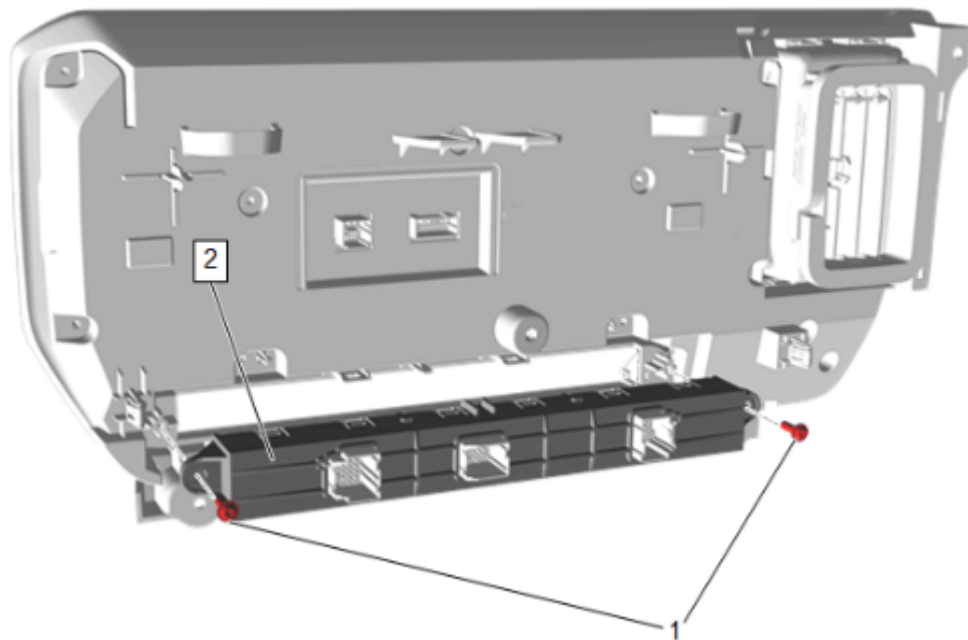
31. Release the retaining tabs.

32. Instrument Panel Center Accessory Function Switch (1) » Remove

Installation Procedure



1. Instrument Panel Center Accessory Function Switch (1) » Install
2. Secure the retaining tabs.

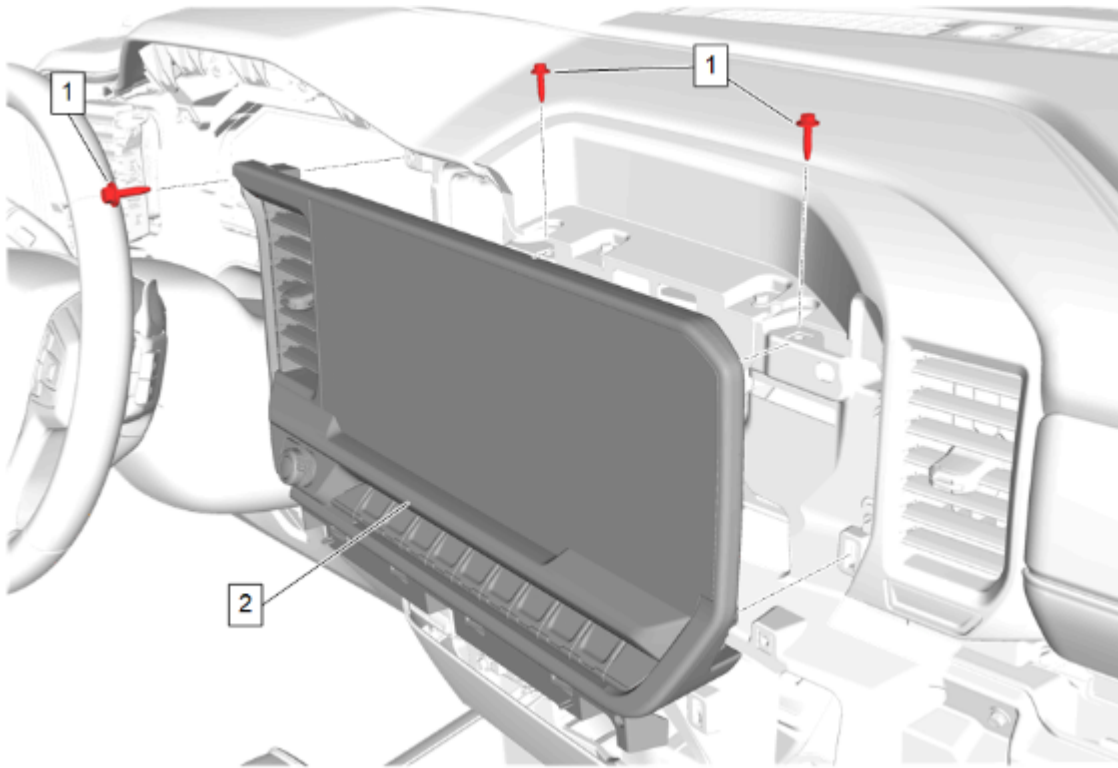


3. Hazard Warning Switch Housing (2) » Install

4. Secure the retaining tabs.

Caution: Refer to [Fastener Caution](#).

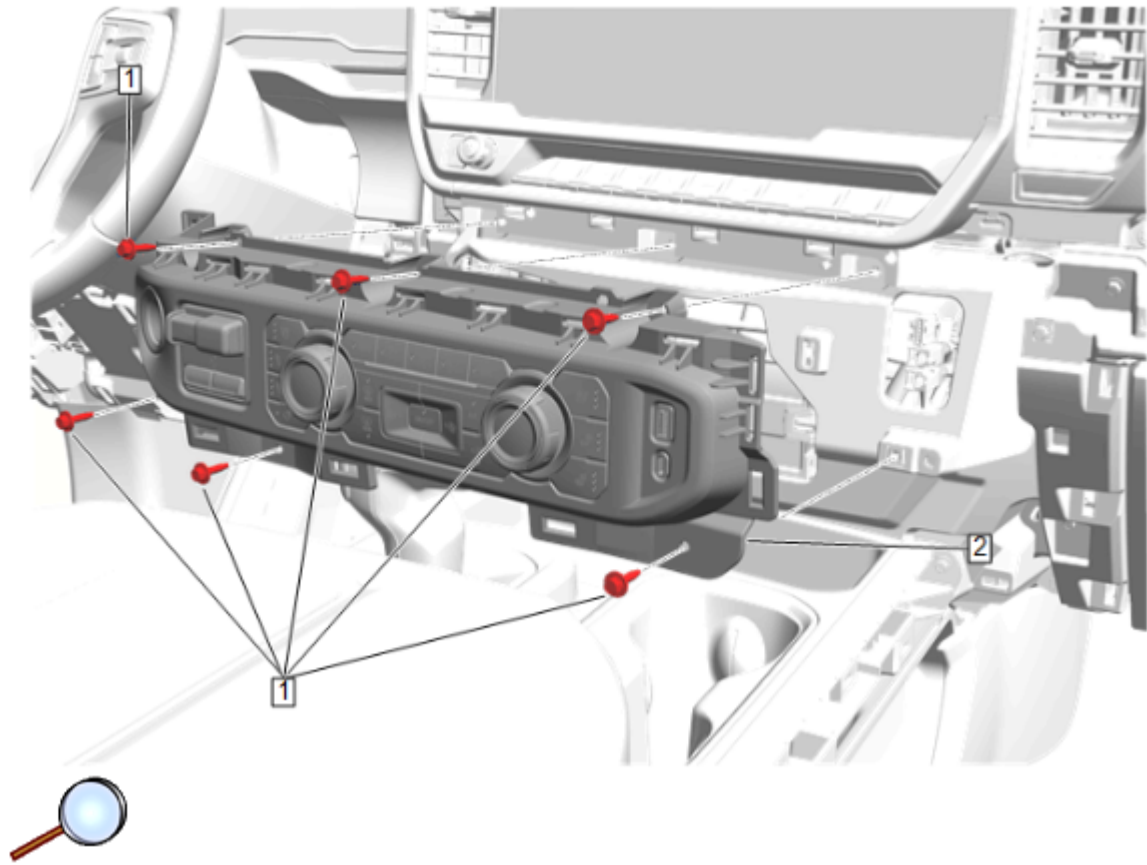
5. Hazard Warning Switch Housing Bolt (1) » Install and tighten [2x] — [Fastener Specifications](#)



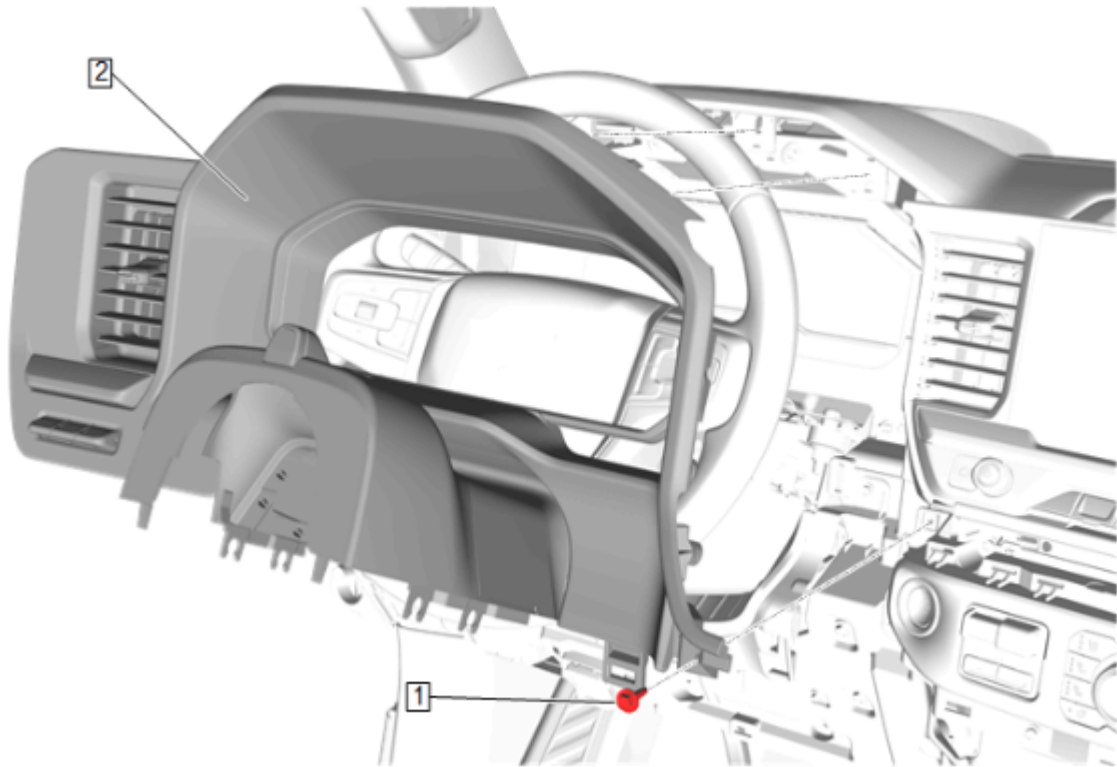
6. Connect the electrical connectors.

7. Radio Control (2) » Install

8. Radio Control Bolt (1) » Install and tighten [3x] — [Fastener Specifications](#)



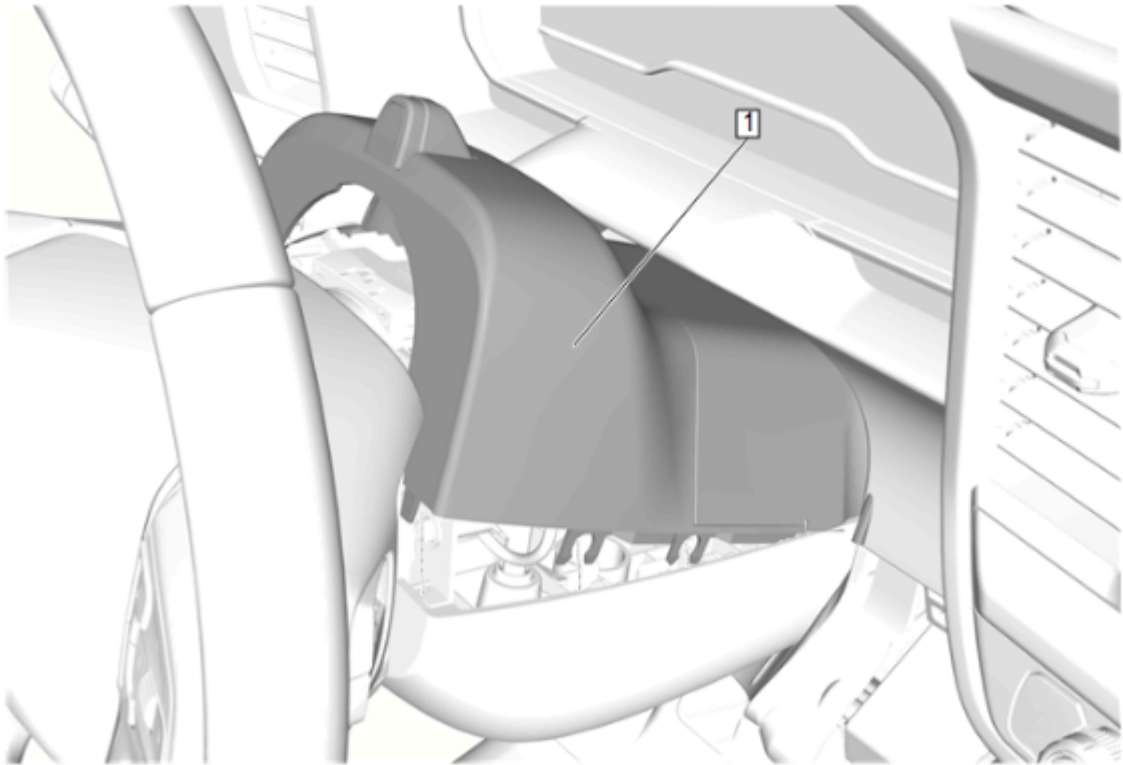
9. Connect the electrical connectors.
10. Instrument Panel Accessory Bezel (2) » Install
11. Instrument Panel Accessory Bezel Bolt (1) » Install and tighten [6x] — [Fastener Specifications](#)



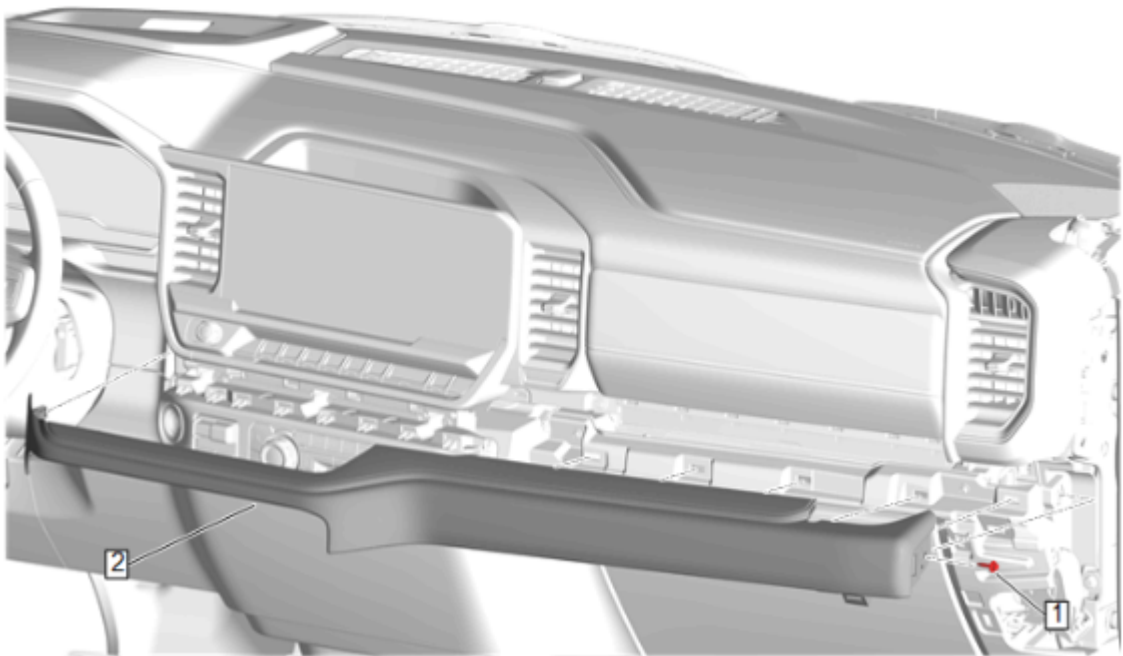
12. { If equipped } Connect the electrical connector.

13. Instrument Panel Cluster Trim Plate (2) » Install

14. Instrument Panel Cluster Trim Plate Bolt (1) » Install and tighten — [Fastener Specifications](#)

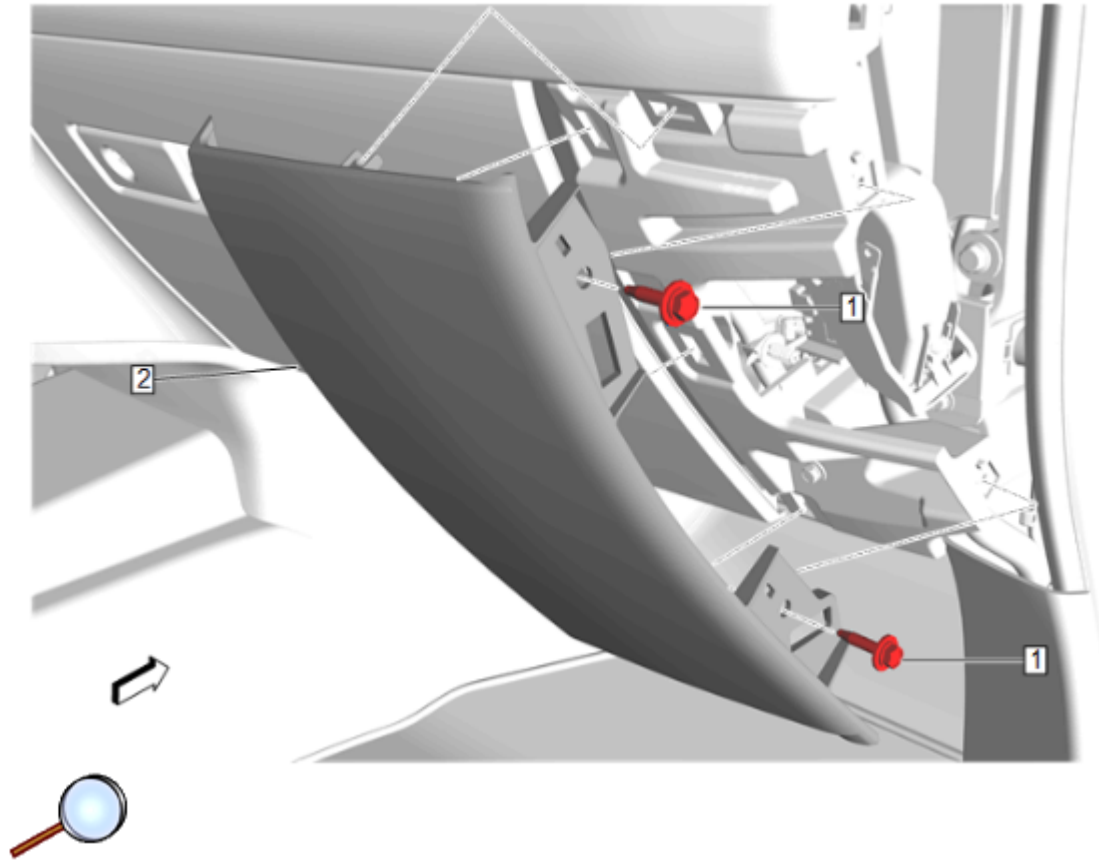


- 15. If equipped with a camera, connect the electrical connector.
- 16. Instrument Panel Steering Column Upper Trim Cover (1) » Install



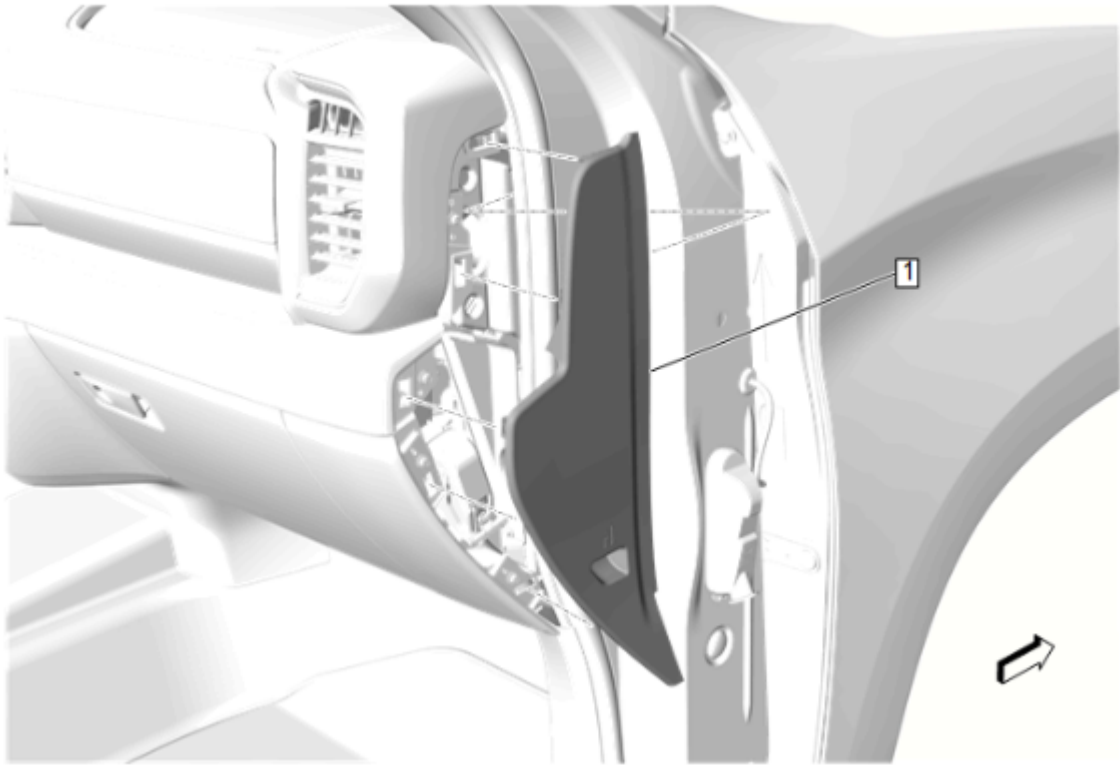
17. Instrument Panel Center Trim Pad (2) » Install

18. Instrument Panel Center Trim Panel Bolt (1) » Install and tighten — [Fastener Specifications](#)

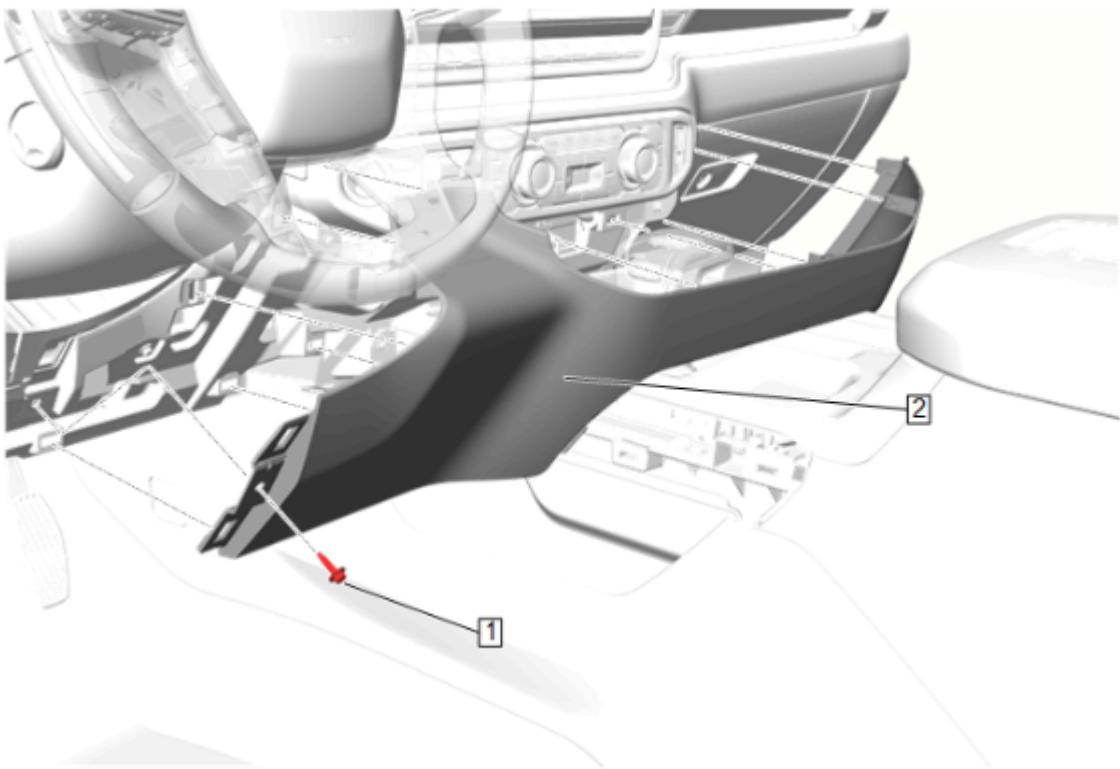


19. Instrument Panel Lower Trim Panel Outer Filler (2) » Install

20. Instrument Panel Lower Trim Panel Outer Filler Bolt(1) » Install and tighten [2x] — [Fastener Specifications](#)

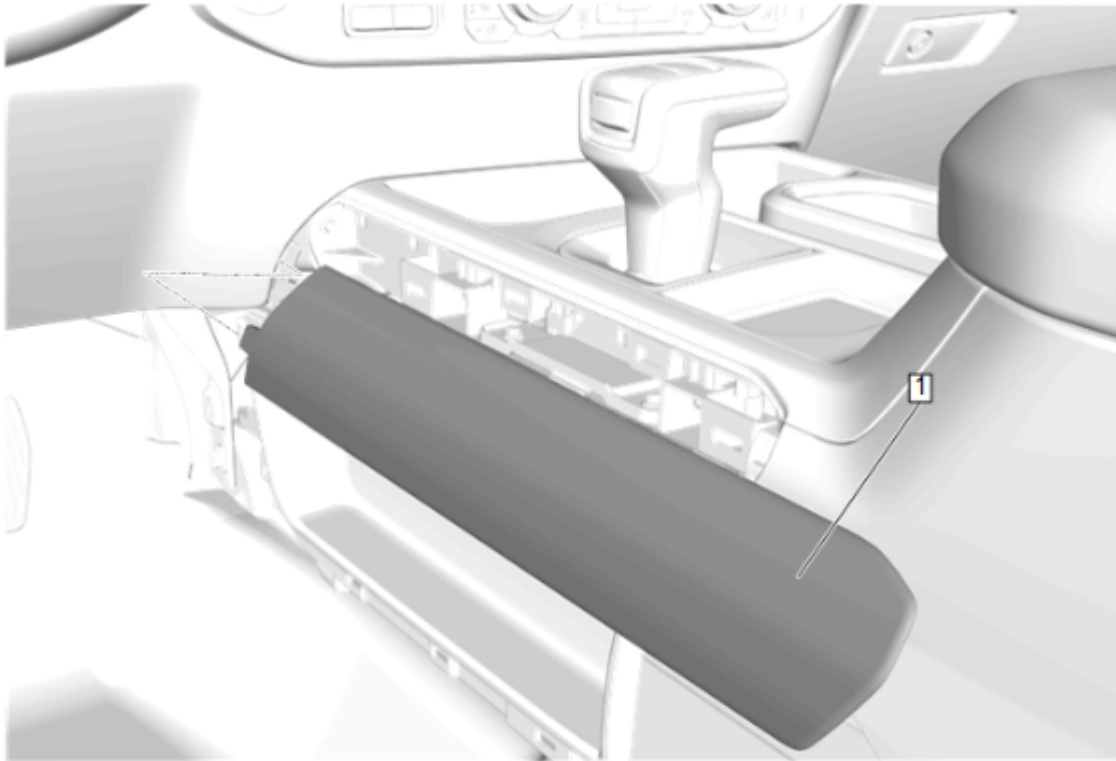


Note: Line up flange around the front side door weatherstrip
21. Instrument Panel Fuse Block Access Hole Cover (1) » Install



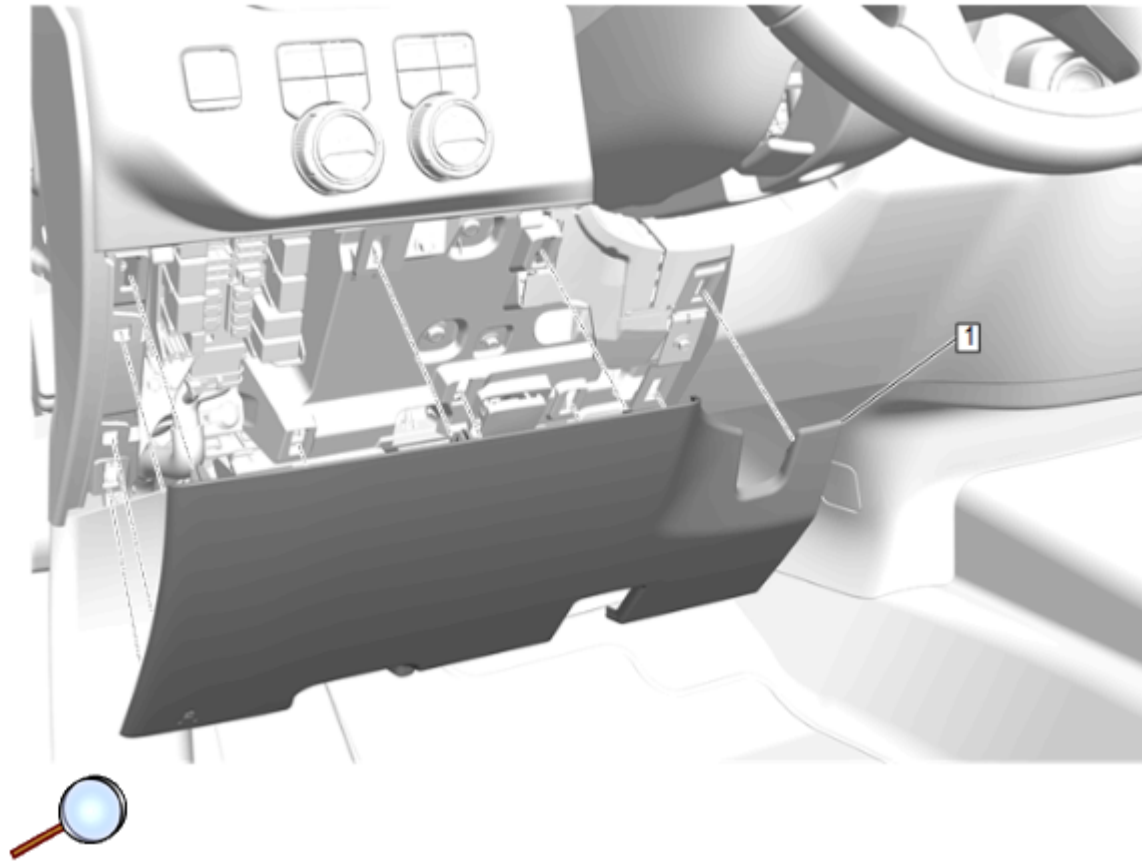
22. Instrument Panel Lower Trim Panel (2) » Install

23. Instrument Panel Lower Trim Panel Bolt (1) » Install and tighten — [Fastener Specifications](#)



Note: Left side shown, right side similar.

24. Front Floor Console Applique - Left Side and Right Side (1) » Install [2x]



Warning: When removing, handling or installing this component wear protective gloves. The sharp edges on the component may be very sharp and may cause injury.

25. Instrument Panel Knee Bolster (1) » Install